

FLOS

Glo-Ball C/W Zero - Specification Sheet by Jasper Morrison, 1998

Mounting	Ceiling and Wall
Lamp (Bulb) Description	1 x 40W G9 Frosted Halogen (Included)
Environment	Indoor - Dry Location
Dimming	Phase-cut Dimming / Triac Type
Finish	Opal
Technical and Product Description	Part of the Glo-Ball Series, the Glo-Ball C/W Zero was first designed in 2009 and has been in production since then. The concept behind the Glo-Ball series design is to achieve maximum diffusion of light through simple, functional and creative construction.

The contemporary lamp has a diffuser that consists of an externally acid-etched, hand-blown, flashed opaline glass and a die-cast aluminum threaded ring nut with alodine plating finish. Glo-Ball C/W Zero is available with or without a dimmer switch.

Inspiration Behind the Design: The decorative lamp designed by Jasper Morrison is made to resemble the bright glow of the full moon on a clear night when illuminated.

Take a look at the entire family of [Glo Ball Series](#) lights.


Electrical

Voltage	120
Switching	NA
IP Rating	IP40

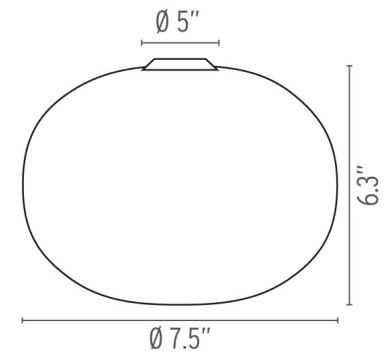
Physical

Construction Material	Aluminum, Blown Glass, Plastic
Weight	2.2 lbs



 FU333509 Opal

Dimensional Image



Certifications



Lamping (Bulb)



40W G9 Frosted Halogen

