

FLOS

Kelvin LED Green Mode 1, Chrome with Base - Specification Sheet by Antonio Citterio w Toan Nguyen, 2012

Mounting	Table Top
Lamp (Bulb) Description	30 TOP LED 3000K 285lm CRI95 - 7.5W
Environment	Indoor - Dry Location
Finish	Chrome
Technical and Product Description	The Kelvin LED Green Mode is part of the Kelvin LED Family. First designed in 2009, it was later upgraded to the Kelvin LED Green Mode I in 2013.

Antonio Citterio, in collaboration with Taon Nguyen, designed this table light which comes with a daylight sensor which, when activated, based on the brightness of the surrounding areas, will automatically modify its light output.

The adjustable table lamp has a fused aluminum alloy body, a double pantograph arm and an adjustable die-cast aluminum outer head with an injection-molded methacrylate diffuser.

The Kelvin LED Green has five models available in anthracite, black, chrome, copper (limited edition), pink (limited edition), white:

1. Base
2. Clamp Support
3. Desk Support(Hidden Cable)
4. Desk Support (Visible Cable)
5. Wall Mount

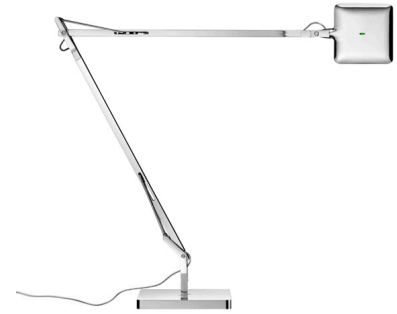
Take a look at the [Kelvin LED Green Mode II](#) (with daylight and motion sensor) as well as the entire [Kelvin LED Family](#).

Electrical

Voltage	120
Switching	Touch-sensor 3-step dimmer (100%-66%-33%) on lamp head
IP Rating	IP20

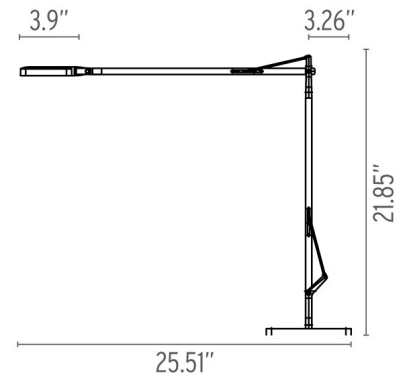
Physical

Cord Length (inches)	59" - Clear
Construction Material	Aluminum, zamak
Weight	8.6 lbs



F3311057 Chrome

Dimensional Image



Certifications

