

FLOS

Kelvin Edge Base, White - Specification Sheet by Antonio Citterio, 2015

Mounting	Table Top
Lamp (Bulb) Description	EDGE LIGHTING 2700/3200K 306lm CRI90 7W
Environment	Indoor - Dry Location
Finish	White

Technical and Product Description The newest addition to the popular Kelvin LED family, the Kelvin Edge offers the innovation and sleek design of the collection in a smaller package – without sacrificing output. Featuring the exclusive Edge Lighting Technology™ from which it takes its name, this table lamp combines efficiency with light intensity and emission magnitude to create the balanced, brilliant glow you'd expect from a much larger light.

The Kelvin Edge features an aluminum painted or chromed body with die-cast head, joints, and forks, and extruded arms. Its diffuser's perimeter is photoengraved polycarbonate (PC) and aluminate. It offers direct light via innovative Edge Lighting Technology™ and the optical switch sensor on the lamp's head provides a three-step dimming function and color temperature adjustment at 2700K or 3200K. The power cord measures 150 cm, and the plug-in power supply includes interchangeable plugs.

Inspiration behind the design:

Blending an industrial style with the latest technology, the Kelvin Edge proves that "petite" can be unexpectedly powerful. "Products are ever more surprising from a technical standpoint as their size gets smaller and smaller," says designer Antonio Citterio. "Through highly sophisticated work of miniaturization on the details, [this design] is increasingly aligned with the evolution of aesthetic perception in our time."

Electrical

Voltage	100-240V
Switching	Optical switch sensor placed on the head
IP Rating	IP20

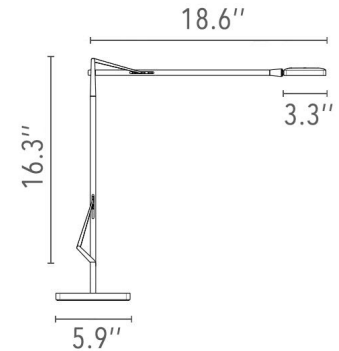
Physical

Cord Length (inches)	68.50
Construction Material	Aluminium painted or chromed body, with die cast head, joints and forks, and extruded arms.
Weight	6.6



○ F3452009 White

Dimensional Image



Certifications

