

# FLOS

## 265, Grey - Specification Sheet by Paolo Rizzatto, 1973

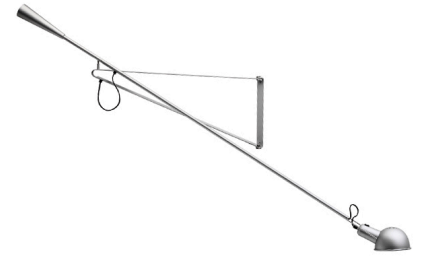
Mounting	Ceiling and Wall
Lamp (Bulb) Description	1 x 75W A-19 Medium Frosted Incandescent (Not Included)
Environment	Indoor - Dry Location
Dimming	Dimmable
Finish	Grey
Technical and Product Description	265 wall lamp providing direct light. Lamp head rotates 360-degrees so light can be aimed in various directions. Painted steel body, adjustable arm and reflector. Chrome-plated brass reflector support. Cast iron tapered counterweight. On/Off switch on socket holder. Plug in power cord (length 80").

### Electrical

Voltage	120
Switching	Switch on lamp socket
IP Rating	IP20

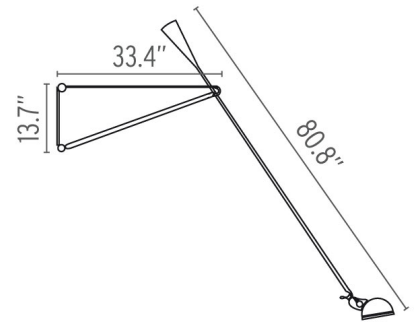
### Physical

Cord Length (inches)	80" - Black
Construction Material	Steel
Weight	13.2 lbs



● AU030020 Grey

### Dimensional Image



### Lamping (Bulb)



75W A-19 Medium Frosted Incandescent