

FLOS

Biagio - Specification Sheet by Tobia Scarpa, 1968

| | |
|-----------------------------------|---|
| Mounting | Table Top |
| Lamp (Bulb) Description | 1 x 72W BT-15 ECO Halogen Frosted (Included) |
| Environment | Indoor - Dry Location |
| Dimming | Dimmable |
| Finish | White |
| Technical and Product Description | The Biagio lamp was designed by Tobia Scarpa in 1968 and has been in production since then. This modernist table light is carved out of a single piece of fine white Italian Carrara marble. The one of a kind shape of the Biagio demands attention as it represents class and elegance. |

The Biagio lamp uses an incandescent bulb emitting soft direct light.

Inspiration Behind the Design:

Tobia Scarpa has tried to take advantage of the sophisticated, ultramodern geometry and natural shape that comes with valued materials like Carrara marble. This is extremely evident in the shape of the Biagio. Watch the making of Biagio video [here](#).

Take a look at more lighting by Tobia Scarpa [here](#).

Electrical

| | |
|-----------|-----------------------|
| Voltage | 120 |
| Switching | ON-OFF switch on cord |
| IP Rating | IP20 |

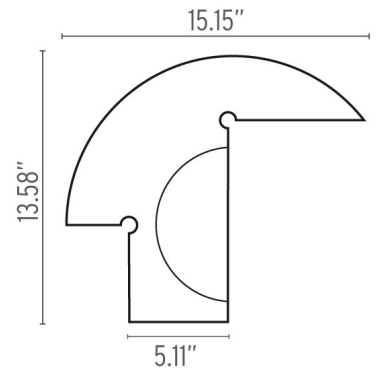
Physical

| | |
|-----------------------|-------------|
| Cord Length (inches) | 86" - White |
| Construction Material | Marble |
| Weight | 16.5 lbs |



○ F0700000 White

Dimensional Image



Lamping (Bulb)



72W BT-15 ECO Halogen

Lamping (Bulb)



LED018 PRO-T38LED 14W 120V E26
2700K DIMM - 1800lm - CRI80 Additional

Lamping (Bulb)



LED031 PRO-T38LED 14W 120V E26
3000K Dimmable - 1800lm - CRI80-
Additional