

FLOS

Romeo Moon, S2 - Specification Sheet by Philippe Starck, 1996

Mounting	Ceiling Pendant
Lamp (Bulb) Description	1 x 150W A-21 Medium Frosted Incandescent (Included)
Canopy Dimension	Diameter 6.8" - 1.4" High
Environment	Indoor - Dry Location
Dimming	Phase-cut Dimming / Triac Type
Finish	Glass
Technical and Product Description	ROMEIO MOON S Pendant fixture providing diffused light, supported by three steel cables. Molded glass lampshade and etched internal white glass diffuser. 15 transparent cord.

Electrical

Voltage	120
Switching	NA
IP Rating	IP20

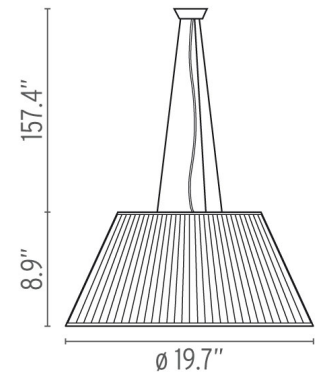
Physical

Cord Length (inches)	157" - Clear
Construction Material	Glass, Polycarbonate
Weight	16.7 lbs



FU611000 Glass

Dimensional Image



Certifications



Lamping (Bulb)



150W A-21 Medium Frosted Incandescent