






Taraxacum 2 - Specification Sheet
by Achille and Pier Giacomo Castiglioni, 1960


Mounting Ceiling Pendant
Lamp (Bulb) 1 x 11,5W LED A70 2700K (Included)
Description
C a n o p y Diameter 5.75" - 1.40" high
Dimension
Environment Indoor - Dry Location
Dimming Phase-cut Dimming / Triac Type
Finish White
Technical and Product Description TARAXACUM pendant lamp providing diffused light. White powder coated internal steel structure sprayed with a unique cocoon resin to create the diffuser which is then protected by a transparent sprayed on finish.


Electrical


Voltage 120
Switching NA
IP Rating IP20

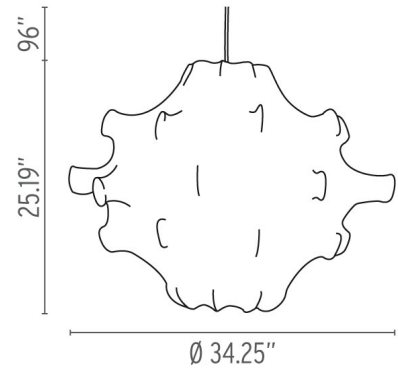
Physical


Cord Length 96" - White (inches)
Construction Material Cocoon Plastic, Steel
Weight 7.1 lbs



 FU740209 White

Dimensional Image



Certifications



Lamping (Bulb)



RF34655 PRO-T38LED 14W 120V E26 2700K
 DIMM - 1800lm - CRI80 Additional

Lamping (Bulb)



RF35739 PRO-T38LED 14W 120V E26 3000K
 Dimmable - 1800lm - CRI80- Additional