

# FLOS

## Kelvin LED Green Mode 2 w/ Detector, White with Base - Specification Sheet by Antonio Citterio w Toan Nguyen, 2013

Mounting	Table Top
Lamp (Bulb) Description	30 x TOP LED 3000K 325lm CRI95 - 7.5W
Environment	Indoor - Dry Location
Finish	Glossy White
Technical and Product Description	The Kelvin LED Green Mode II is part of the Kelvin LED Family. First designed in 2009, the Kelvin LED lamp was later upgraded to the Kelvin LED Green Mode II in 2013.

Antonio Citterio, in collaboration with Toan Nguyen, designed this table light which comes with a daylight sensor and motion sensor which, when activated, based on the brightness of the surrounding areas, will automatically modify its light output. The FLOS touch<sup>(TM)</sup> Technology touch sensor switch is active at all times allowing for manual control of ON/OFF switch and bypassing the Motion Detector. The Daylight Sensor and Motion Sensor function independently of each other.

The adjustable table lamp has a fused aluminum alloy body, a double pantograph arm and an adjustable die-cast aluminum outer head with an injection-molded methacrylate diffuser, providing direct lighting.

The Kelvin LED Green Mode II Table lamp is available in anthracite, chrome, glossy black, and glossy white finishes.

Take a look at the [Kelvin LED Green I](#) (with daylight sensor) mode as well as the entire [Kelvin LED Family](#).

### Inspiration Behind the Design:

Antonio Citterio and Toan Nguyen have immense experience in the field of Industrial Design. They had a very clear vision in mind when designing the classic light. Antonio Citterio says "With Kelvin, my intent was to start with a spring system and add an essential design. The project takes its design cue from a clamp, which becomes the base, and which explicitly evokes the image of a technical object, with an engineering matrix, inspired by bridges and tensile structures."

### Electrical

Switching	Touch-sensor 3-step dimmer (100%-66%-33%) on lamp head
IP Rating	IP20

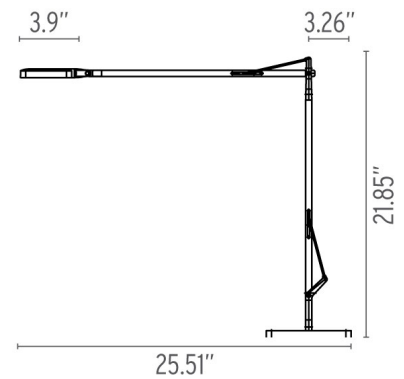
### Physical

Cord Length (inches)	59" - Clear
Construction Material	Aluminum and zamak
Weight	10.69 lbs



○ F3395009 Glossy White

### Dimensional Image



### Certifications

