

# FLOS

## Kelvin LED Green Mode 1, Chrome with Base - Specification Sheet by Antonio Citterio w Toan Nguyen, 2012

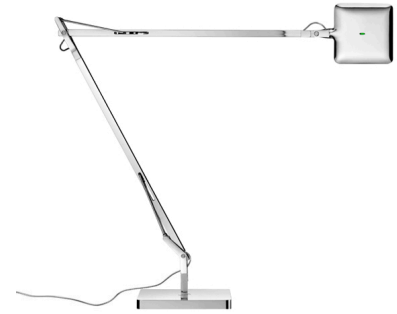
Mounting	Table Top
Lamp (Bulb) Description	30 TOP LED 3000K 285lm CRI95 - 7.5W
Environment	Indoor - Dry Location
Finish	Chrome
Technical and Product Description	<p>The Kelvin LED Green Mode is part of the Kelvin LED Family. First designed in 2009, it was later upgraded to the Kelvin LED Green Mode I in 2013.</p> <p>Antonio Citterio, in collaboration with Taon Nguyen, designed this table light which comes with a daylight sensor which, when activated, based on the brightness of the surrounding areas, will automatically modify its light output.</p> <p>The adjustable table lamp has a fused aluminum alloy body, a double pantograph arm and an adjustable die-cast aluminum outer head with an injection-molded methacrylate diffuser.</p> <p>The Kelvin LED Green has five models available in anthracite, black, chrome, copper (limited edition), pink (limited edition), white:</p> <ol style="list-style-type: none"><li>1. Base</li><li>2. Clamp Support</li><li>3. Desk Support( Hidden Cable)</li><li>4. Desk Support (Visible Cable)</li><li>5. Wall Mount</li></ol> <p>Take a look at the <a href="#">Kelvin LED Green Mode II</a> (with daylight and motion sensor) as well as the entire <a href="#">Kelvin LED Family</a>.</p>

### Electrical

Voltage	120
Switching	Touch-sensor 3-step dimmer (100%-66%-33%) on lamp head
IP Rating	IP20

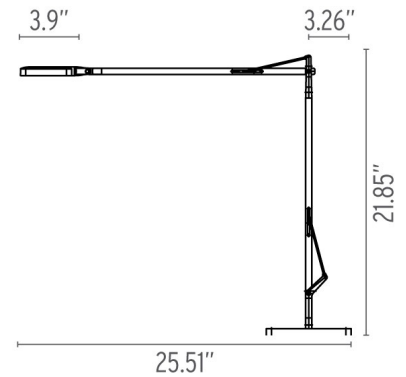
### Physical

Cord Length (inches)	59" - Clear
Construction Material	Aluminum, zamak
Weight	8.6 lbs



F3311057 Chrome

### Dimensional Image



### Certifications

