



**Glo-Ball Basic 2 - Specification Sheet**  
by Jasper Morrison, 1998

Mounting	Table Top
Lamp (Bulb) Description	1 x 150W T-8 Medium Frosted Halogen (Included)
Environment	Indoor - Dry Location
Dimming	Dimmable
Finish	White
Technical and Product Description	GLO-BALL BASIC 2 table lamp with blown white acid-etched glass diffuser. 30% fiberglass reinforced injection-molded polyamide (UL-94 V2) base. Gray painted, die-cast aluminum diffuser support. 0-100% dimmer fitted on polarized power cord.

**Electrical**

Voltage	120
Switching	0-100% dimmer installed on the cord
IP Rating	IP40

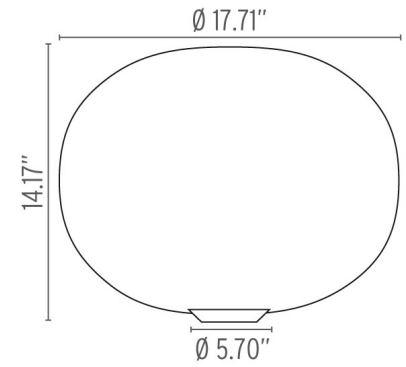
**Physical**

Cord Length (inches)	78" - White
Construction Material	Aluminum, Blown glass, Plastic
Weight	8.9 lbs



FU302600 White

**Dimensional Image**



**Certifications**



**Lamping (Bulb)**



150W T8 E26 Frosted Halogen

**Lamping (Bulb)**



RF34655 PRO-T38LED 14W 120V E26 2700K  
DIMM - 1800lm - CRI80 Additional

**Lamping (Bulb)**



RF35739 PRO-T38LED 14W 120V E26 3000K  
Dimmable - 1800lm - CRI80- Additional